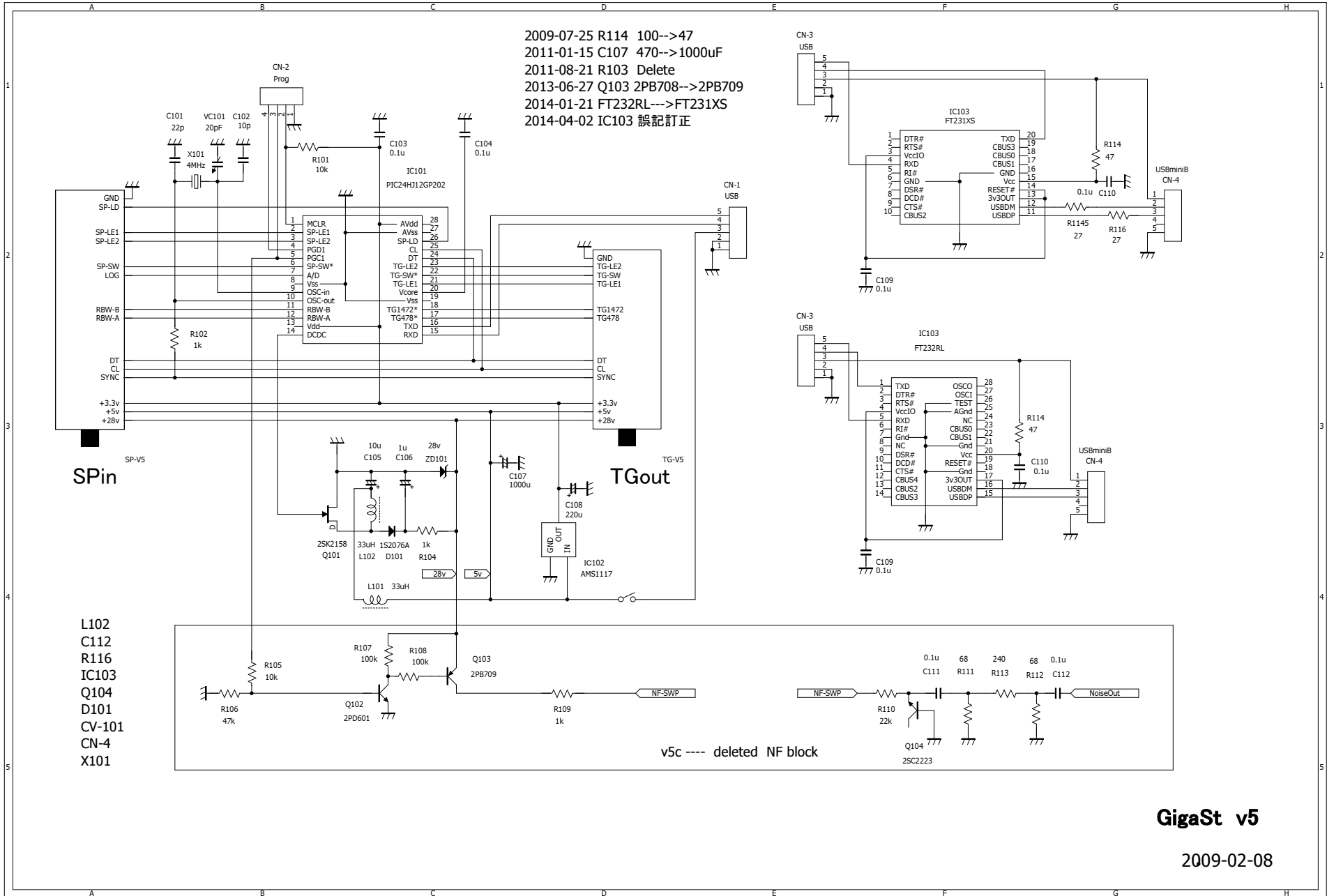


2009-07-25 R114 100-->47
 2011-01-15 C107 470-->1000uF
 2011-08-21 R103 Delete
 2013-06-27 Q103 2PB708-->2PB709
 2014-01-21 FT232RL---->FT231XS
 2014-04-02 IC103 誤記訂正



SPin

TGout

- L102
- C112
- R116
- IC103
- Q104
- D101
- CV-101
- CN-4
- X101

v5c ---- deleted NF block

GigaSt v5

2009-02-08